



A105
TWO-WAY

A105
THREE-WAY



A106
TWO-WAY

A106
THREE-WAY

Description

Exposed auxiliary inlet connections with 500 GPM. inlet capacity (two way) or 750 GPM. inlet capacity (three way) to supplement fire protection water supply. Swing clapper provides full waterway. Exposed design provides an economical method of satisfying Fire Dept. inlet requirements.

Versions and product codes

Series	Size	Branding	Type	Finishing
A105 TWO WAY DOUBLE CLAPPER BACK	4" x 2 1/2"	AUTO-SPKR STANDPIPE PLAIN	Two hose thread swivel inlets (F) x straight NPT outlet (F)	Rough Brass Polished Brass Polished Chrome
	4" x 3"			
	6" x 2 1/2"			
	6" x 3"			
A106 THREE WAY DOUBLE CLAPPER BACK	4" x 2 1/2"	AUTO-SPKR STANDPIPE	Three hose thread swivel inlets (F) x straight NPT outlet (F)	Rough brass
	6" x 2 1/2"			
A105 TWO WAY DOUBLE CLAPPER ANGLE	4" x 2 1/2"	AUTO-SPKR STANDPIPE PLAIN	Two hose thread swivel inlets (F) x angle NPT outlet (F)	Rough brass
	4" x 3"			
	6" x 2 1/2"			
	6" x 3"			
A106 THREE WAY DOUBLE CLAPPER ANGLE	4" x 2 1/2"	AUTO-SPKR STANDPIPE	Three hose thread swivel inlets (F) x angle NPT outlet (F)	Rough brass
	6" x 2 1/2"			

Technical data

- Rated pressure: 300 PSI (20,6 bar)

Materials

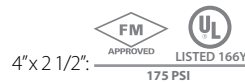
- Body: casted brass CuZn37Pb2Ni1AlFe-B in accordance with European Standard UNI EN1982-2000 CB753S, corresponding to American Standard ASTM B30 C85700
- Tensile strength of the material in the shape of bar: min. 300 MPa
- Stress for permanent distortion R(0.2): min. 150 MPa
- Elongation: min. 15 %

Approvals for A105 TWO WAY DOUBLE CLAPPER BACK



The A105 three way triple clapper models are not certified.

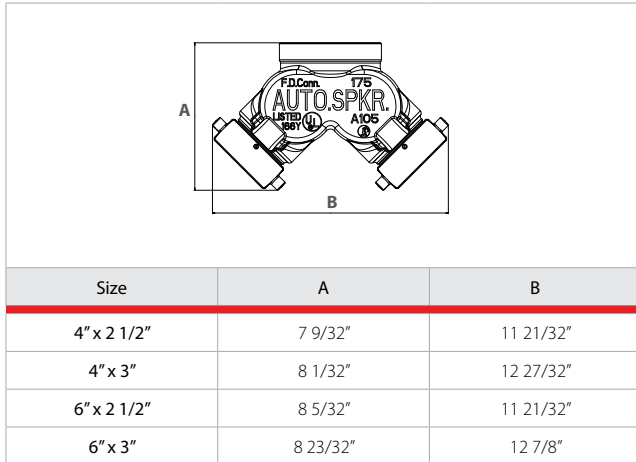
Approvals for A106 TWO WAY DOUBLE CLAPPER ANGLE



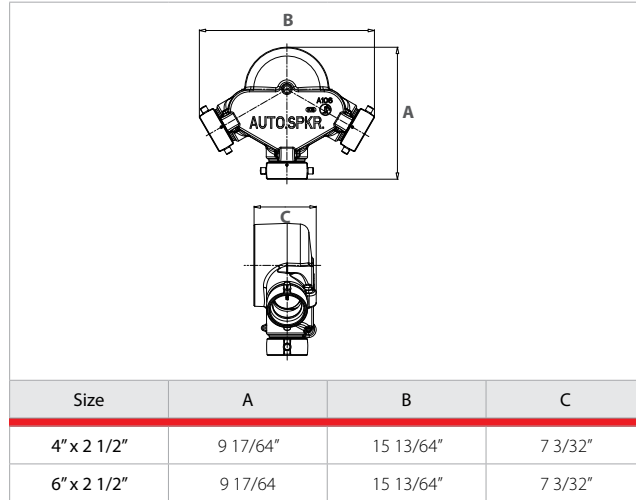
The A106 three way triple clapper models are not certified.

Dimensions

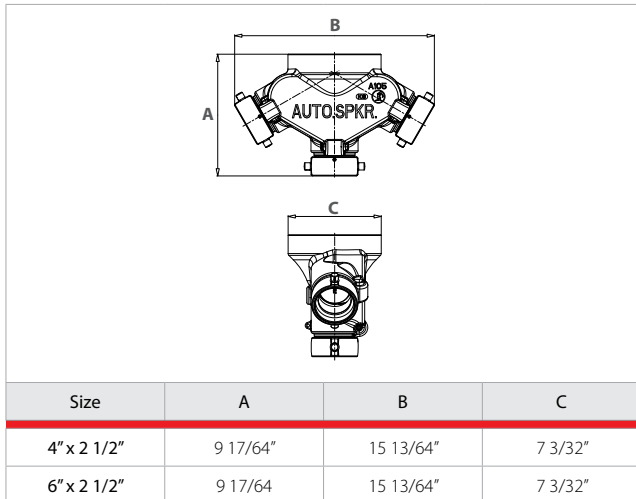
A105 – TWO HOSE THREAD SWIVEL INLETS (F) x STRAIGHT NPT OUTLET (F)



A106 – THREE HOSE THREAD SWIVEL INLETS (F) x ANGLE NPT OUTLET (F)



A105 – THREE HOSE THREAD SWIVEL INLETS (F) x STRAIGHT NPT OUTLET (F)



Product specifications

A105 – Two way 4" x 2 1/2"

Exposed Fire Department Inlet Connection, clapper type, two female hose threaded swivel inlets and female NPT outlet, back connection, with main feature as following:

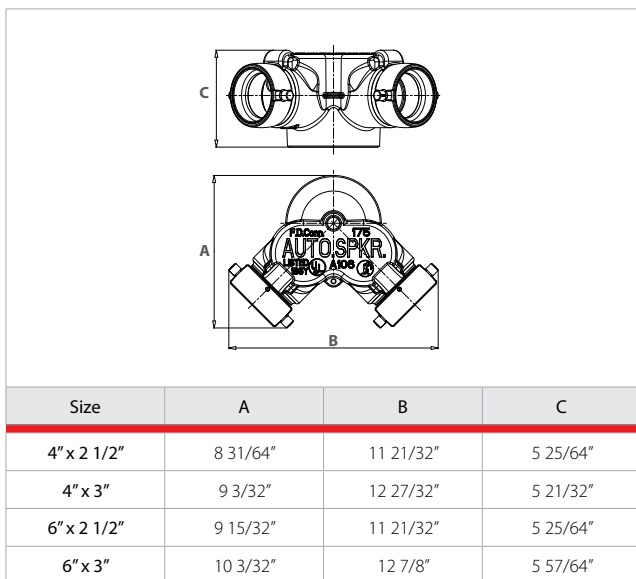
- Casted brass
- Branding types: AUTO-SPKR, STANDPIPE, PLAIN
- 4" female NPT outlet
- 2-1/2" double female hose thread swivel inlets
- Minimum inlet capacity 500 GPM
- Rated pressure 175 psi
- UL ULC listed

A105 – Two way 4" x 3"

Exposed Fire Department Inlet Connection, clapper type, two female hose threaded swivel inlets and female NPT outlet, back connection, with main feature as following:

- Casted brass
- Branding types: AUTO-SPKR, STANDPIPE, PLAIN
- 4" female NPT outlet
- 3" double female hose thread swivel inlets
- Minimum inlet capacity 500 GPM
- Rated pressure 300 psi
- UL listed

A106 – TWO HOSE THREAD SWIVEL INLETS (F) x ANGLE NPT OUTLET (F)



A105 – Two way 6" x 2 1/2"

Exposed Fire Department Inlet Connection, clapper type, two female hose threaded swivel inlets and female NPT outlet, back connection, with main feature as following:

- Casted brass
- Branding types: AUTO-SPKR, STANDPIPE, PLAIN
- 6" female NPT outlet
- 2-1/2" double female hose thread swivel inlets
- Minimum inlet capacity 500 GPM
- Rated pressure 175 psi
- UL listed

A105 – Two way 6" x 3"

Exposed Fire Department Inlet Connection, clapper type, two female hose threaded swivel inlets and female NPT outlet, back connection, with main feature as following:

- Casted brass
- Branding types: AUTO-SPKR, STANDPIPE, PLAIN
- 6" female NPT outlet
- 3" double female hose thread swivel inlets
- Minimum inlet capacity 500 GPM
- Rated pressure 300 psi
- UL listed

**A105 – THREE WAY 4" x 2 1/2"**

Exposed Fire Department Inlet Connection, clapper type, three female hose threaded swivel inlets and female NPT outlet, back connection, with main feature as following:

- Casted brass
- Branding types: AUTO-SPKR, STANDPIPE
- 4" female NPT outlet
- 2-1/2" triple female hose thread swivel inlets
- Minimum inlet capacity 500 GPM
- Rated pressure 175 psi

A105 – THREE WAY 6" x 2 1/2"

Exposed Fire Department Inlet Connection, clapper type, three female hose threaded swivel inlets and female NPT outlet, back connection, with main feature as following:

- Casted brass
- Branding types: AUTO-SPKR, STANDPIPE
- 6" female NPT outlet
- 2-1/2" triple female hose thread swivel inlets
- Minimum inlet capacity 500 GPM
- Rated pressure 175 psi

A106 – TWO WAY 4" x 2 1/2"

Exposed Fire Department Inlet Connection, clapper type, two female hose threaded swivel inlets and female NPT outlet, angle connection, with main feature as following:

- Casted brass
- Branding types: AUTO-SPKR, STANDPIPE, PLAIN
- 4" female NPT outlet
- 2-1/2" double female hose thread swivel inlets
- Minimum inlet capacity 500 GPM
- Rated pressure 175 psi
- FM approved and UL listed

A106 – TWO WAY 4" x 3"

Exposed Fire Department Inlet Connection, clapper type, two female hose threaded swivel inlets and female NPT outlet, angle connection, with main feature as following:

- Casted brass
- Branding types: AUTO-SPKR, STANDPIPE, PLAIN
- 4" female NPT outlet
- 3" double female hose thread swivel inlets
- Minimum inlet capacity 500 GPM
- Rated pressure 300 psi
- UL listed

A106 – TWO WAY 6" x 2 1/2"

Exposed Fire Department Inlet Connection, clapper type, two female hose threaded swivel inlets and female NPT outlet, angle connection, with main feature as following:

- Casted brass
- Branding types: AUTO-SPKR, STANDPIPE, PLAIN
- 6" female NPT outlet
- 2-1/2" double female hose thread swivel inlets
- Minimum inlet capacity 500 GPM
- Rated pressure 175 psi
- UL listed

A106 – TWO WAY 6" x 3"

Exposed Fire Department Inlet Connection, clapper type, two female hose threaded swivel inlets and female NPT outlet, angle connection, with main feature as following:

- Casted brass
- Branding types: AUTO-SPKR, STANDPIPE, PLAIN
- 6" female NPT outlet
- 3" double female hose thread swivel inlets
- Minimum inlet capacity 500 GPM
- Rated pressure 300 psi
- UL listed

A106 – THREE WAY 4" x 2 1/2"

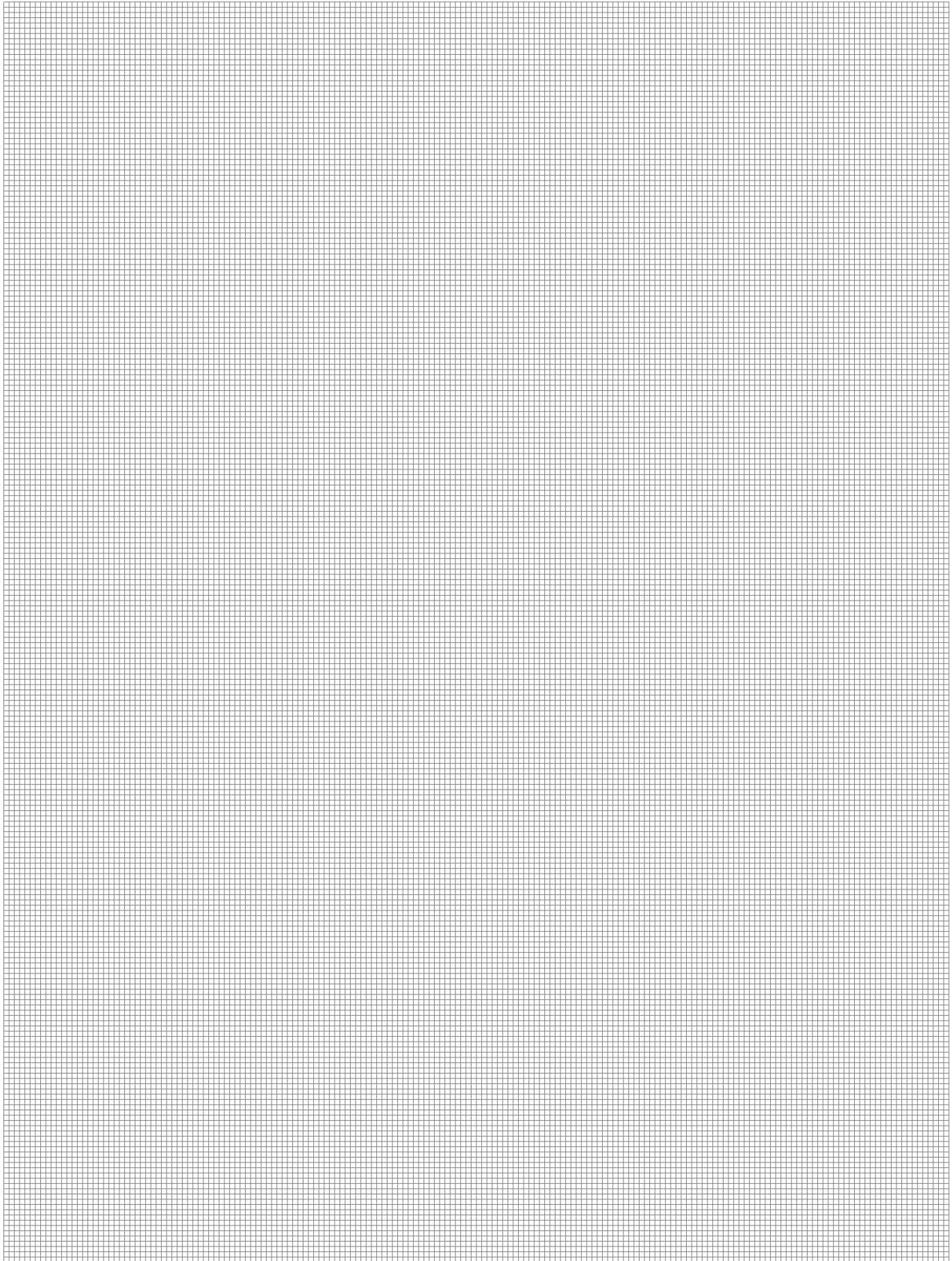
Exposed Fire Department Inlet Connection, clapper type, three female hose threaded swivel inlets and female NPT outlet, angle connection, with main feature as following:

- Casted brass
- Branding types: AUTO-SPKR, STANDPIPE
- 4" female NPT outlet
- 2-1/2" triple female hose thread swivel inlets
- Minimum inlet capacity 500 GPM
- Rated pressure 175 psi

A106 – THREE WAY 6" x 2 1/2"

Exposed Fire Department Inlet Connection, clapper type, three female hose threaded swivel inlets and female NPT outlet, angle connection, with main feature as following:

- Casted brass
- Branding types: AUTO-SPKR, STANDPIPE
- 6" female NPT outlet
- 2-1/2" triple female hose thread swivel inlets
- Minimum inlet capacity 500 GPM
- Rated pressure 175 psi



Additional information

For additional information please check the website www.giacomini.com or contact the technical service: ☎ +39 0322 923372 📠 +39 0322 923255 ✉ consulenza.prodotti@giacomini.com
This pamphlet is merely for information purposes. Giacomini S.p.A. retains the right to make modifications for technical or commercial reasons, without prior notice, to the items described in this pamphlet. The information described in this technical pamphlet does not exempt the user from following carefully the existing regulations and norms on good workmanship.
Giacomini S.p.A. Via per Alzo, 39 - 28017 San Maurizio d'Opaglio (NO) Italy